

# PRODUCTION ISSUE

DRAWING NUMBER <b>BD49662</b>	ISSUE	MOD No	ALTERATION	DRAWN BY	DATE
	A	1361	PRODUCTION ISSUE	S.McGUINNESS	07/05/13
<small>NO REPRODUCTION OR PUBLICATION OF THIS DRAWING MAY BE MADE AND NO ARTICLE MAY BE MANUFACTURED OR ASSEMBLED IN ACCORDANCE WITH THIS DRAWING WITHOUT PRIOR WRITTEN CONSENT. THIS PROHIBITION IS A TERM OF ANY CONTRACT RELATING TO THIS DRAWING. RIGHTS RESERVED UNDER THE COPYRIGHT ACT 1956 AS AMENDED BY THE DESIGN COPYRIGHT ACT 1988.</small>					

IF IN DOUBT ASK  
DO NOT SCALE  
FIRST ANGLE PROJECTION

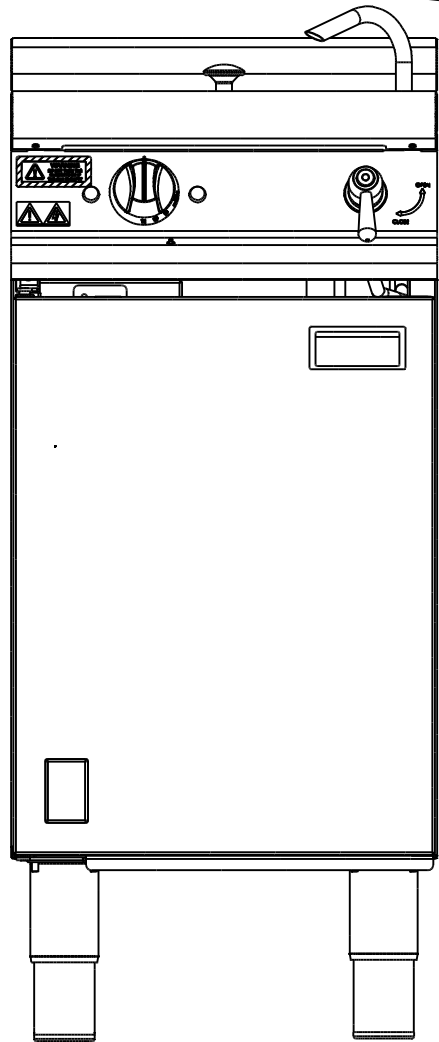
UNLESS OTHERWISE SPECIFIED:  
DIMENSIONS ARE IN MILLIMETERS  
TOLERANCES:  
LINEAR: ±0.5mm  
ANGULAR: ±0.5 DEG

DEBUR AND  
BREAK SHARP EDGES

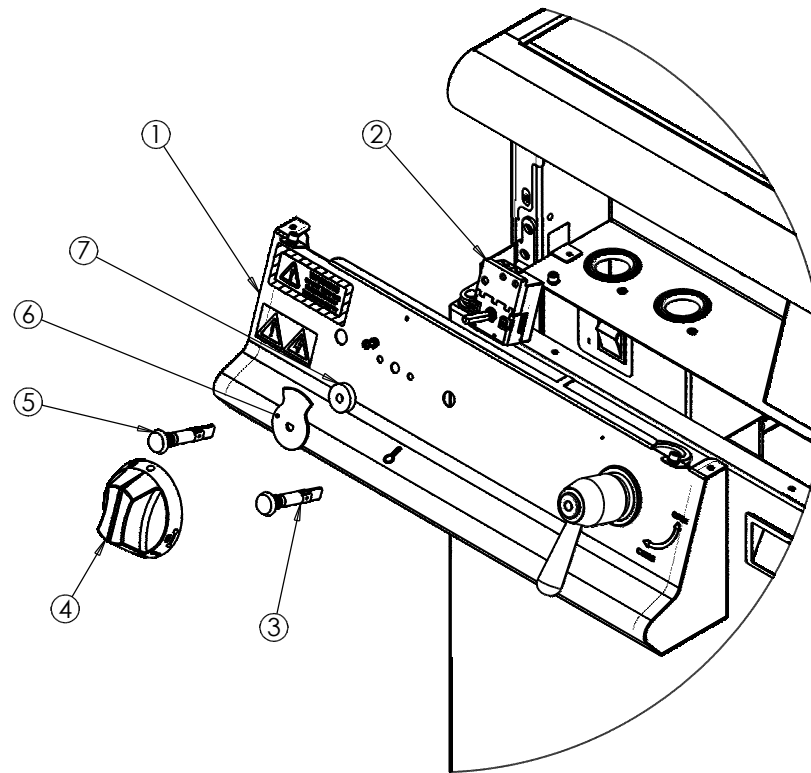
WEIGHT: 188726.30g



DRAWN: <b>S.McGUINNESS</b>	PRODUCT	<b>E3204 PASTA COOKER</b>	
DATE: <b>17/09/12</b>	TITLE	<b>SPARES - MAIN BODY</b>	
SCALE: <b>1:5</b>	DRAWING NUMBER	<b>BD49662</b>	ISSUE
MATL:	FINISH:		<b>A</b>
THICKNESS:	PART No:		
BIN No:			



No	Description	Spares No
1	Control Panel	735820007
2	Operating Stat	539113130
3	Amber Neon	731740440
4	Control Knob	535650011
5	Red Neon	730962010
6	Control knob Stop	735820006
7	Resistance Grommet	536430005



# PRODUCTION ISSUE

ISSUE	MOD No	ALTERATION	DRAWN BY	DATE
A	1361	PRODUCTION ISSUE	S.McGUINNESS	07/05/13

IF IN DOUBT ASK  
DO NOT SCALE  
FIRST ANGLE PROJECTION



UNLESS OTHERWISE SPECIFIED:  
DIMENSIONS ARE IN MILLIMETERS  
TOLERANCES:

LINEAR: ±0.5mm  
ANGULAR: ±0.5 DEG

DEBUR AND  
BREAK SHARP EDGES

WEIGHT: g



DRAWN: **S.McGUINNESS**

DATE: **20/09/12**

SCALE: **1:2**

MATL:

THICKNESS:

BIN No:

PRODUCT

**E3204 PASTA COOKER**

TITLE

**SPARES CONTROL PANEL**

DRAWING NUMBER

**AD49896**

ISSUE

**A**

PART No: **T423424**